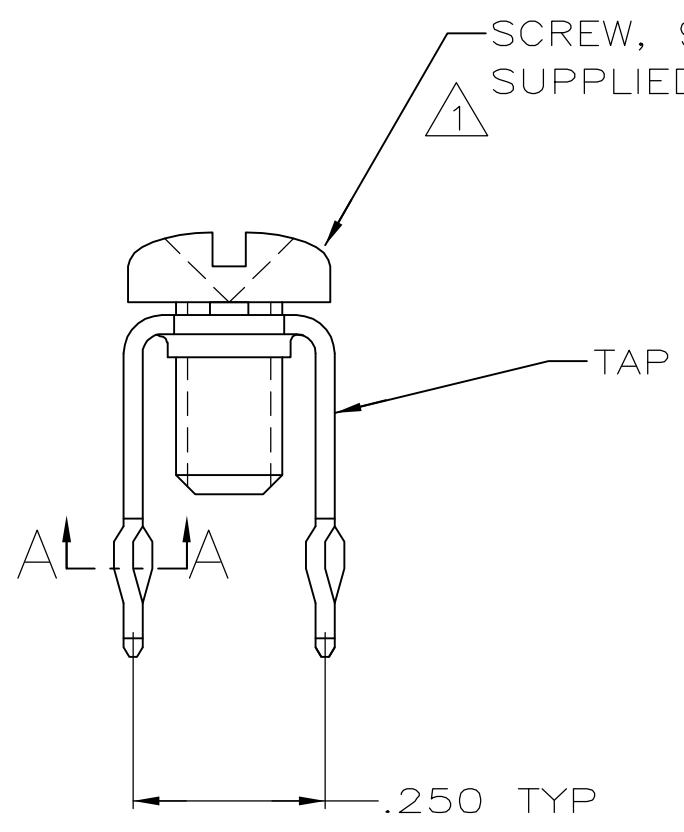
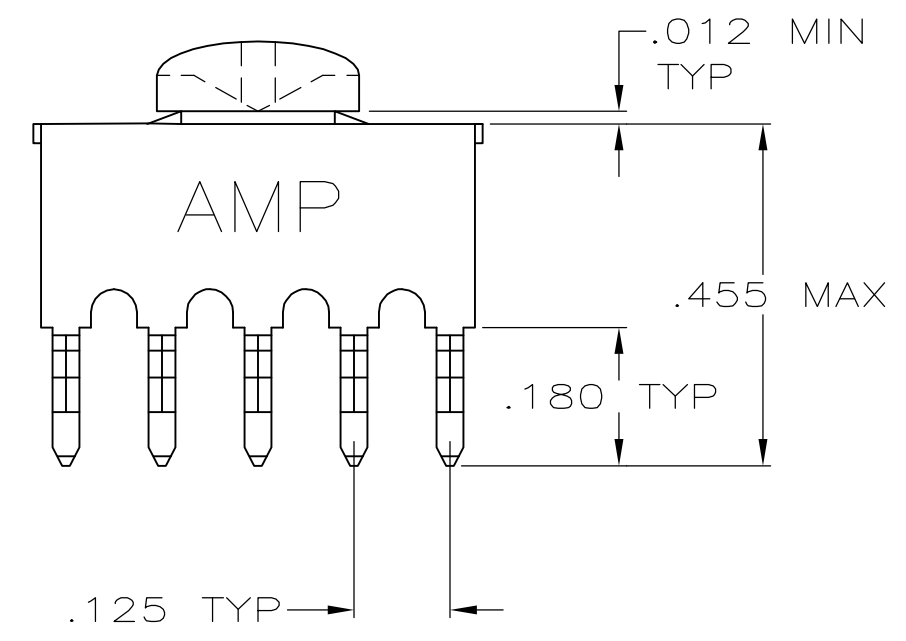
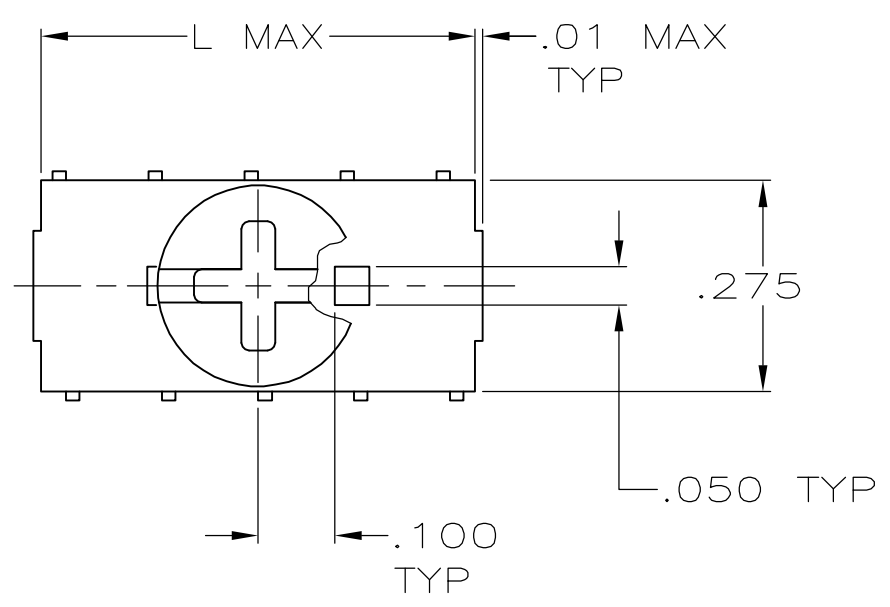


THIS DRAWING IS UNPUBLISHED. RELEASED FOR PUBLICATION  
 © COPYRIGHT - BY TYCO ELECTRONICS CORPORATION. ALL RIGHTS RESERVED.

LOC	DIST	REVISIONS			
P	LTR	DESCRIPTION	DATE	DWN	APVD
AA	00	B	ECO-06-010266	17AUG06	LAM AF



SCREW, 993879-1  
 SUPPLIED UNASSEMBLED, SEE TABLE

- ① TO PREVENT THREAD STRIPPING, SCREW TORQUE SHOULD NOT EXCEED 9 IN LBS.
- ② TAP HOLE IS 6-32UNC-2B, TWO MIN THREADS.
- ③ FINISH .000150 MATTE TIN OVER .000050 NICKEL .
- ④ COPPER ALLOY 725, .025 THICK
- 5 REFERENCE APPLICATION SPECIFICATION 114-11000 FOR DRILL HOLE SIZE AND FINISHES.



SECTION A-A  
 SCALE 10:1  
 10 PLACES

.57	YES	10	1-5055323-0
.32	YES	6	5055323-9
.57	NO	10	5055323-6
.32	NO	6	5055323-5
L	993879-1	NUMBER OF POSN	PART NO

THIS DRAWING IS A CONTROLLED DOCUMENT.		DWN J. ALCORTA - 05-04-05	Tyco Electronics Corporation Harrisburg, PA 17105-3608	
DIMENSIONS: INCHES		CHK A. FRANTUM 05-04-05	APVD S. FLICKINGER 05-04-05	
TOLERANCES UNLESS OTHERWISE SPECIFIED:		NAME TAP, POWER DISTRIBUTION		
0 PLC ± -		PRODUCT SPEC 108-11030		
1 PLC ± -		APPLICATION SPEC 114-11000		
2 PLC ± -		SIZE A3	CAGE CODE 00779	DRAWING NO C-5055323
3 PLC ± .008		RESTRICTED TO -		
4 PLC ± -		SCALE 4:1		
ANGLES ± -		SHEET 1 OF 1		
FINISH		REV B		
MATERIAL ④		CUSTOMER DRAWING		
③				